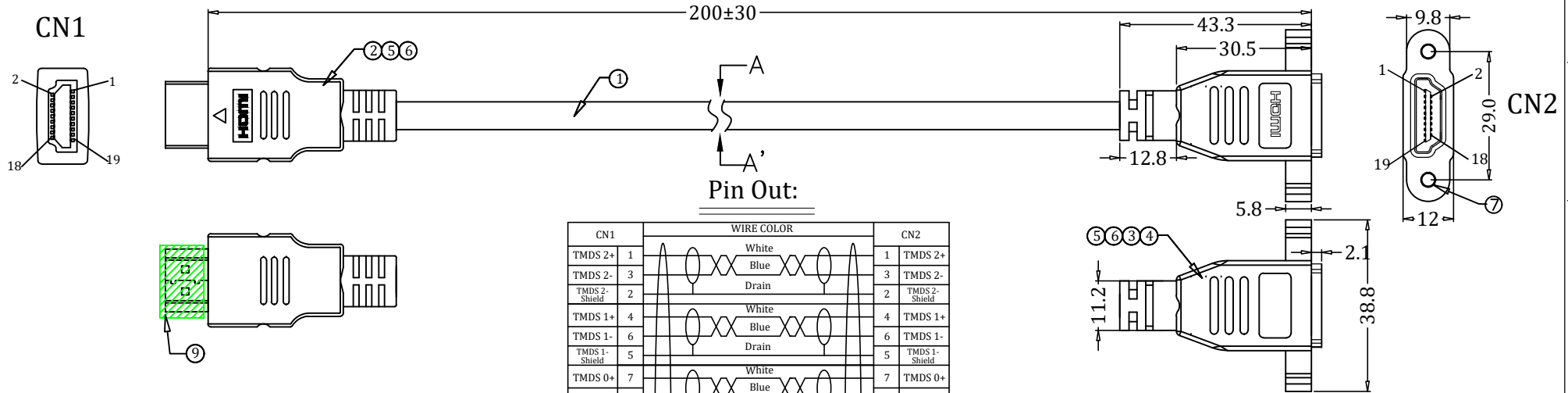


All materials compliant with RoHS, REACH standards

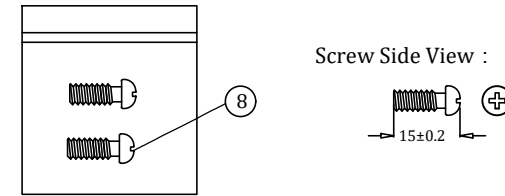
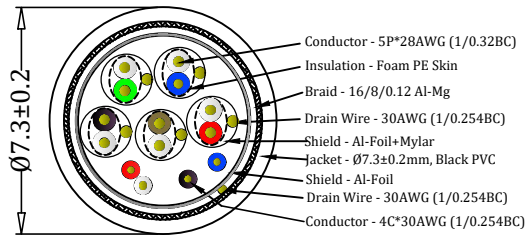
REV.	DATE	DESCRIPTION
A0	2024.04.23	ISSUE



Pin Out:

CN1		WIRE COLOR	CN2	
TMDS 2+	1	White	1	TMDS 2+
TMDS 2-	3	Blue	3	TMDS 2-
TMDS 2- Shield	2	Drain	2	TMDS 2- Shield
TMDS 1+	4	White	4	TMDS 1+
TMDS 1-	6	Blue	6	TMDS 1-
TMDS 1- Shield	5	Drain	5	TMDS 1- Shield
TMDS 0+	7	White	7	TMDS 0+
TMDS 0-	9	Blue	9	TMDS 0-
TMDS 0- Shield	8	Drain	8	TMDS 0- Shield
TMDS CLOCK+	10	White	10	TMDS CLOCK+
TMDS CLOCK-	12	Blue	12	TMDS CLOCK-
TMDS CLOCK Shield	11	Drain	11	TMDS CLOCK Shield
CEC	13	Red	13	CEC
Utility	14	White	14	Utility
Hot Plug Detect	19	Blue	19	Hot Plug Detect
DDC/CEC Ground	17	Drain	17	DDC/CEC Ground
SCL	15	White	15	SCL
SDA	16	Black	16	SDA
+5V Power	18	Orange	18	+5V Power
Shell		Braid+DW		Shell

SEC:A-A'



Electronic Tests:

- A. Open/Short/Intermittence: 100%
- B. Hi-Pot: AC 300V 0.01S 1mA
- C. Insulation Resistance: DC 300V 0.01S 10MΩ min
- D. Conductor Resistance: 2Ω max
- E. Supports computer & TV resolutions to 4K@60Hz

NO.	NAME	SPECIFICATIONS	Q'TY	UNIT
9	Dust Cover	HDMI Male Dust Cover, Transparent	1	PCS
8	Screw	Screw, 4-40, Nickel Plated	2	PCS
7	Nut	Nut, 4-40, Nickel Plated	2	PCS
6	Outer Mold	PVC 45P BLACK	10	G
5	Inner Mold	LDPE/Natural	8	G
4	SHEATH	HDMI 19PIN Female sheath black ABS L=11mm	1	PCS
3	Connector	HDMI 19PIN Female Pin Gold Plated, Shell Gold Flash, Black Insulation,	1	PCS
2	Connector	HDMI A Male, Pin Gold Flash, Shell Gold-plated, Black Insulation plastic	1	PCS
1	Cable	HDMI2.0 [(1/0.32BC)*1P+D(1/0.254BC)+AM]*5+(1/0.254BC)*4C+AL-FOIL+DRAIN WIRE(1/0.254BC)+BRAID(128/0.12AM)BLACK PVC JACKET, OD: 7.3±0.2MM	0.2	M

NINGBO FARSINCE ELECTRONIC CO., LTD
 T: +86 574 87042335 E: sales@farsince.com W: www.farsince.com



-TOLERANCES-
 LENGTH:
 X±0.3
 .X±0.2
 .XX±0.1
 ANGLE:
 X°±2°
 .X°±1°
 .XX°±0.5°

Customer		
Model No.	FSP1001C-4K	
Drawing No.	FSP1001C-4K	
Product Description	HDMI 2.0 AM-AF Panel Mount cable	
Units:mm	Approved:	Franck
	Check:	Sam
Page: 1 of 1	Design:	Bill