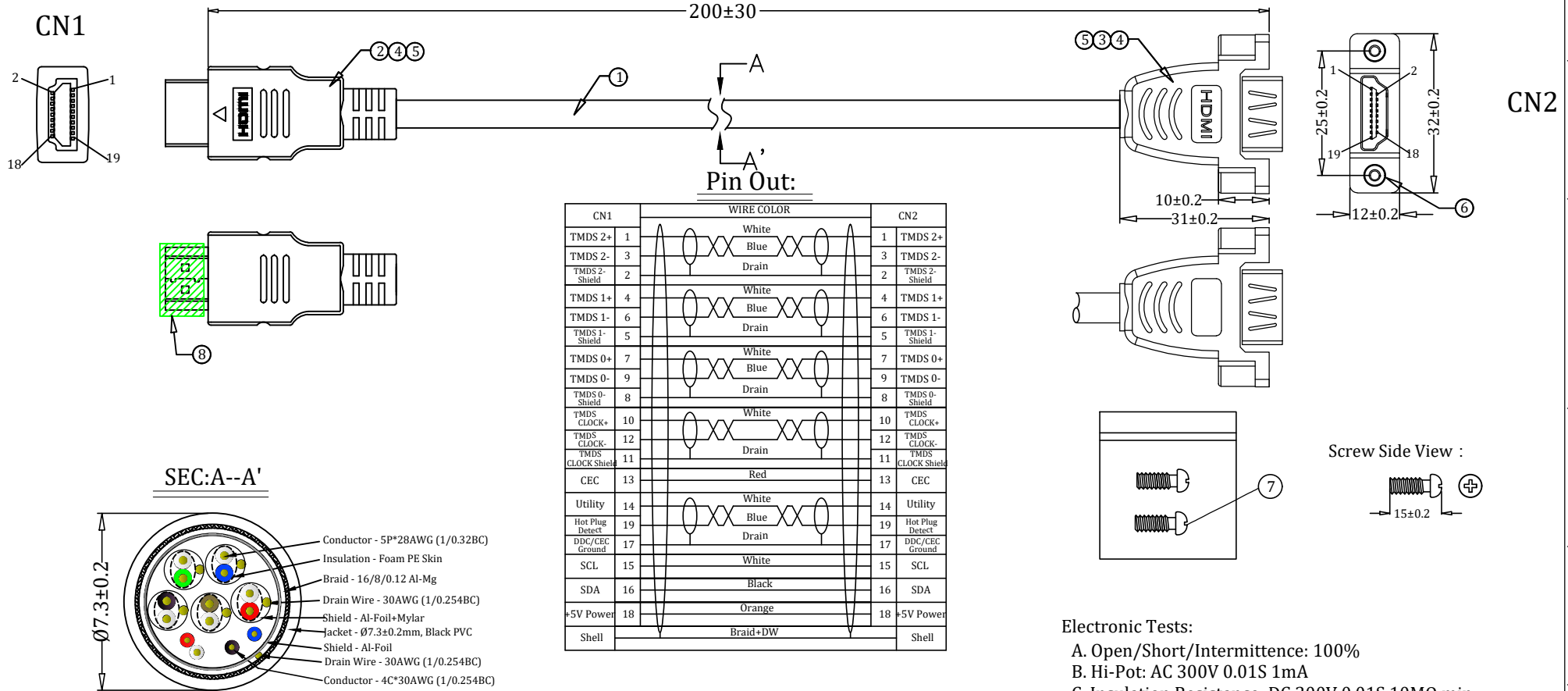


All materials compliant with RoHS, REACH standards

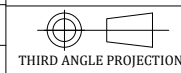
REV.	DATE	DESCRIPTION
A0	2024.04.23	ISSUE



**Electronic Tests:**  
 A. Open/Short/Intermittence: 100%  
 B. Hi-Pot: AC 300V 0.01S 1mA  
 C. Insulation Resistance: DC 300V 0.01S 10MΩ min  
 D. Conductor Resistance: 2Ω max  
 E. Supports computer & TV resolutions to 4K@60Hz

NO.	NAME	SPECIFICATIONS	Q'TY	UNIT
8	Dust Cover	HDMI Male Dust Cover, Transparent	1	PCS
7	Screw	Screw, 4-40, Nickel Plated	2	PCS
6	Nut	Nut, 4-40, Nickel Plated	2	PCS
5	Outer Mold	PVC 45P BLACK	10	G
4	Inner Mold	LDPE/Natural	8	G
3	Connector	HDMI 19PIN Female Pin Gold Plated, Shell Gold Flash, Black Insulation,	1	PCS
2	Connector	HDMI A Male, Pin Gold Flash, Shell Gold-plated, Black Insulation plastic	1	PCS
1	Cable	HDMI2.0 [(1/0.32BC)*1P+D(1/0.254BC)+AM]*5+(1/0.254BC)*4C+AL-FOIL+DRAIN WIRE(1/0.254BC)+BRAID(128/0.12AM)BLACK PVC JACKET, OD: 7.3±0.2MM	0.2	M

**NINGBO FARSINCE ELECTRONIC CO., LTD**  
 T: +86 574 87042335 E: sales@farsince.com W: www.farsince.com



-TOLERANCES-  
 LENGTH:  
 X±0.3  
 .X±0.2  
 .XX±0.1  
 ANGLE:  
 X°±2°  
 .X°±1°  
 .XX°±0.5°

Customer		
Model No.	FSP1001A-4K	
Drawing No.	FSP1001A-4K	
Product Description	HDMI 2.0 AM-AF Panel Mount cable	
Units:mm	Approved:	Franck
	Check:	Sam
Page: 1 of 1	Design:	Bill