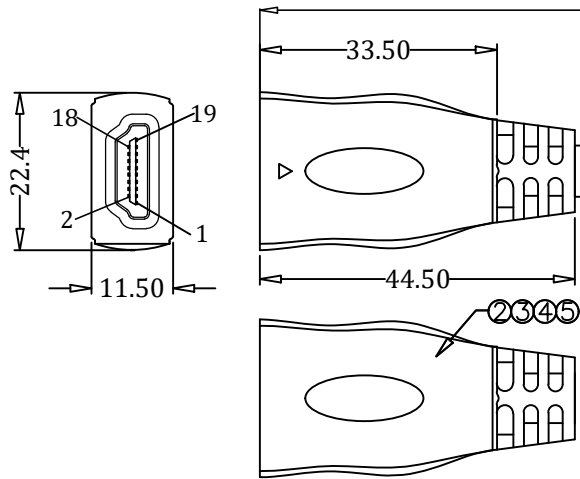


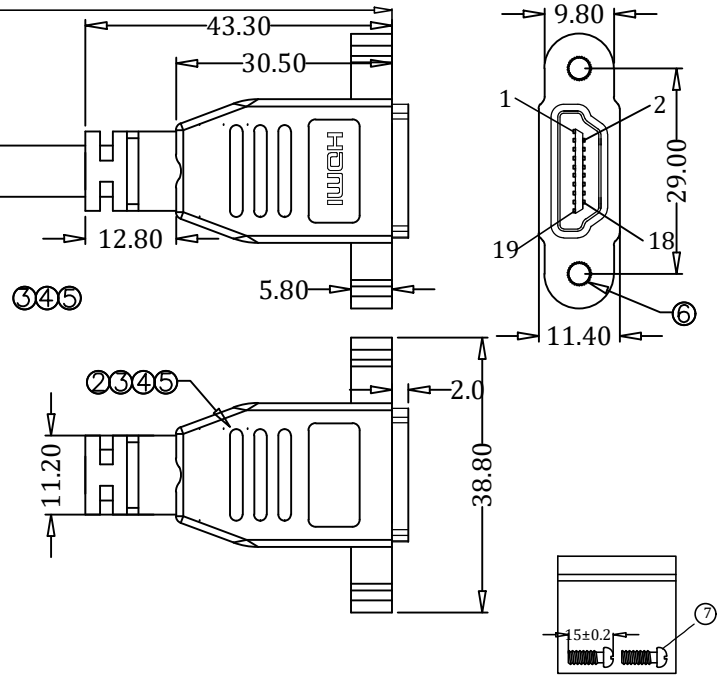
All materials compliant with RoHS, REACH standards

REV.	DATE	DESCRIPTION
A0	2023.7.26	ISSUE

P1



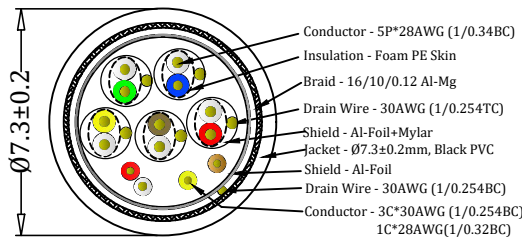
P2



PIN OUT

CN1		WIRE COLOR		CN2	
TMDS 2+	1	White		1	TMDS 2+
TMDS 2-	3	Red		3	TMDS 2-
TMDS 1- Shield	5	Drain		5	TMDS 1- Shield
TMDS 1+	4	White		4	TMDS 1+
TMDS 1-	6	Brown		6	TMDS 1-
TMDS 2- Shield	2	Drain		2	TMDS 2- Shield
TMDS 0+	7	White		7	TMDS 0+
TMDS 0-	9	Green		9	TMDS 0-
TMDS LOCK Shield	11	Drain		11	TMDS LOCK Shield
TMDS CLOCK+	10	White		10	TMDS CLOCK+
TMDS CLOCK-	12	Blue		12	TMDS CLOCK-
TMDS 0- Shield	8	Drain		8	TMDS 0- Shield
CEC	13	White		13	CEC
Utility	14	White		14	Utility
Hot Plug Detect	19	Yellow		19	Hot Plug Detect
DDC/CEC Ground	17	Drain		17	DDC/CEC Ground
SCL	15	Yellow		15	SCL
SDA	16	Orange		16	SDA
+5V Power	18	Red		18	+5V Power
Shell		Braid+DW			Shell

SEC:A--A'



Electronic Tests:
 A. Open/Short/Intermittence: 100%
 B. Hi-Pot: AC 300V 0.01S
 C. Insulation Resistance: DC 300V 5MΩ
 D. Conductive Resistance: 3Ω Max
 E. Computer Test: 8K@60Hz

NO.	NAME	SPECIFICATIONS	Q'TY	UNIT
8	Copper foil	Copper foil double side	2	PCS
7	Screw	Screw, M3, Nickel Plated	2	PCS
6	NUT	M3, Copper Nut	2	PCS
5	Outer Mold	45P PVC, Black	15	G
4	Inner Mold	LDPE/Natural	2	G
3	Connector	HDMI 19PIN Female Pin Gold Plated,Shell Gold Flash,Black Insulation	1	PCS
2	Connector	HDMI 19PIN Female Pin Gold Plated,Shell Gold Flash, Black Insulation, Black ABS HOOD	1	set
1	Cable	HDMI2.0 [(1/0.34BC)*1P+D(1/0.254TC)+AM]*5+(1/0.254BC)*3C+(1/0.32BC)*1C+AL-FOIL+DW+(1/0.254BC)+BRAID(160/0.12AM)BLACK PVC JACKET,OD:7.3±0.2MM	0.2	M

NINGBO FARSINCE ELECTRONIC CO., LTD
 T: +86 574 87042335 E: sales@farsince.com W: www.farsince.com



-TOLERANCES-
 LENGTH:
 X±0.3
 .X±0.2
 .XX±0.1
 ANGLE:
 X°±2°
 .X°±1°
 .XX°±0.5°

Customer	
Model No.	
Drawing No.	FSP1000C-8K
Product Description	8K HDMI 2.1 F/F Panel Mount Cable
Units:mm	Approved: Franck
	Check: Sam
Page: 1 of 1	Design: Bill